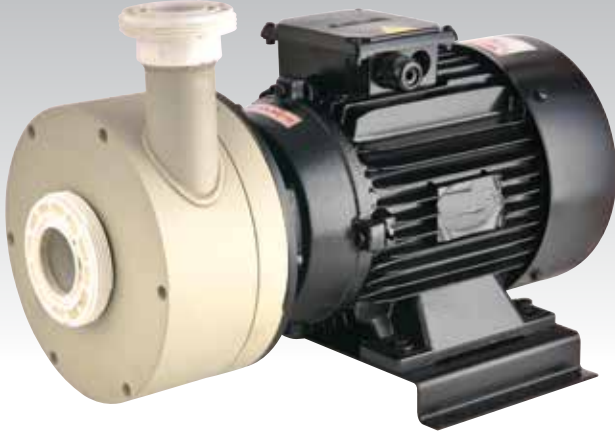


Plastic Acid Pumps



HUGE Acid PA Series

Model	Intake	Discharge	Phase	Motor Power kW	Motor Speed rpm	Hm	Q	Hm	Q	Hm	Q	Hm	Q
PA 6300	40	32		0,37		2	9	6	7	11	4	15	1
PA 6400	40	32		0,75		2	17	6	15	10	12	18	1
PA 6500	40	32		1,1		2	22	8	17	15	9	20	1
PA 6600	50	40	3	1,5	3000	2	24	8	19	18	9	20	1
PA 6700	50	40		2,2		2	28	10	23	20	14	25	1
PA 6800	65	50		3		2	32	10	26	20	17	30	5
PA 6900	65	50		4		2	40	12	30	25	19	40	5
PA8300	40	32		0,55		1	10	3	5	5	2	4	1
PA8400	65	40		0,75		2	20	5	10	7	8	8	5
PA8500	75	65	3	1,5	1500	5	30	8	20	12	5	14	1
PA8600	90	75		3		6	50	10	40	15	30	0	0
PA8700	110	90		7,5		10	100	15	80	20	60	0	0

Hm : Total differential head
Q : Pump capacity



Address:

Maltepe Mah.Çifttehavuzlar Cad.Ayvalıdere Sokak No:6 Zeytinburnu / İstanbul / TURKEY
Tel: +90 (212) 613 41 42 - 47 - 48 - 50
E-mail: satis@gunalsanpompa.com

Fax: +90 (212) 613 41 49
www.gunalsanpompa.com

Plastic Acid Pumps

Applications

- Acids And bases
- Caustic
- Solvents
- Strong Alkalies
- Agressive Chemicals
- Ultra Pure Water
- Pharmaruetic licquids
- Cleaning of Moulds

Main Body Materials

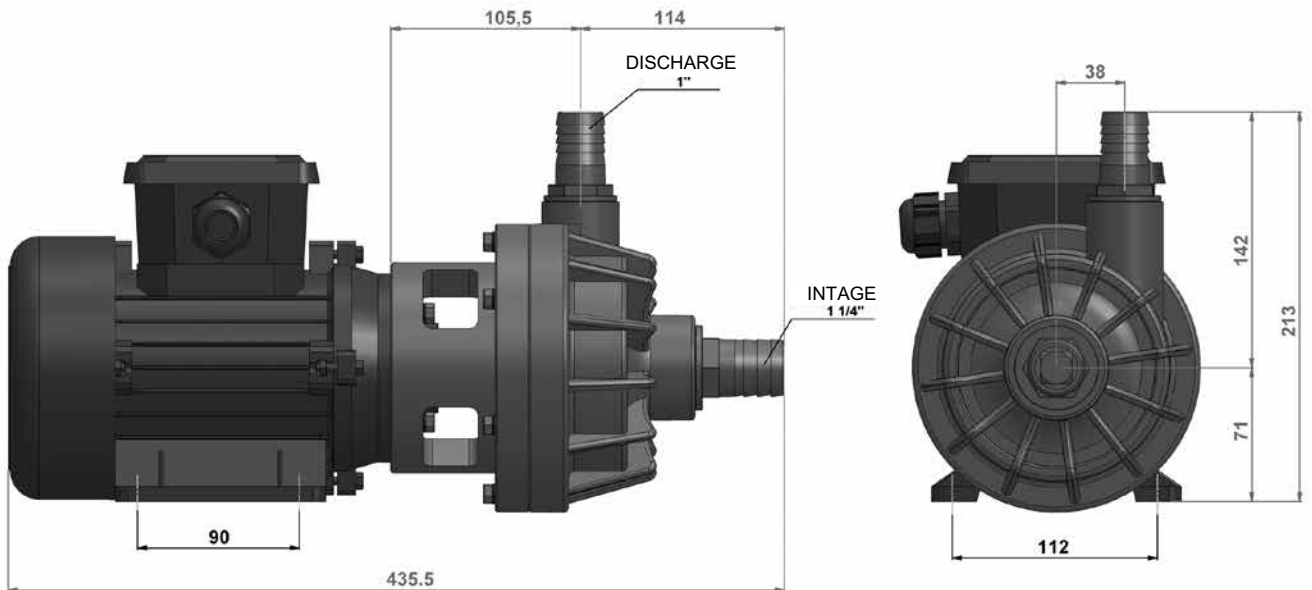
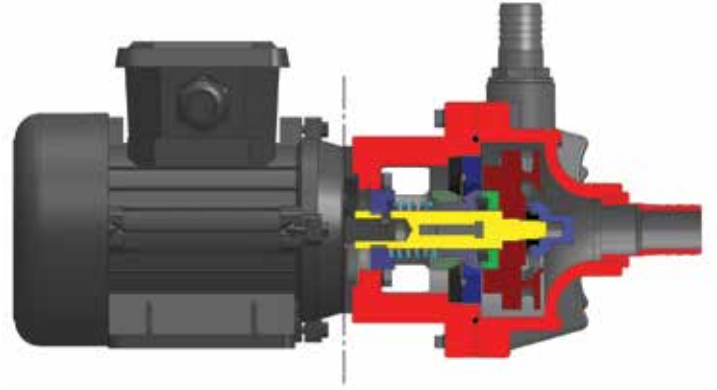
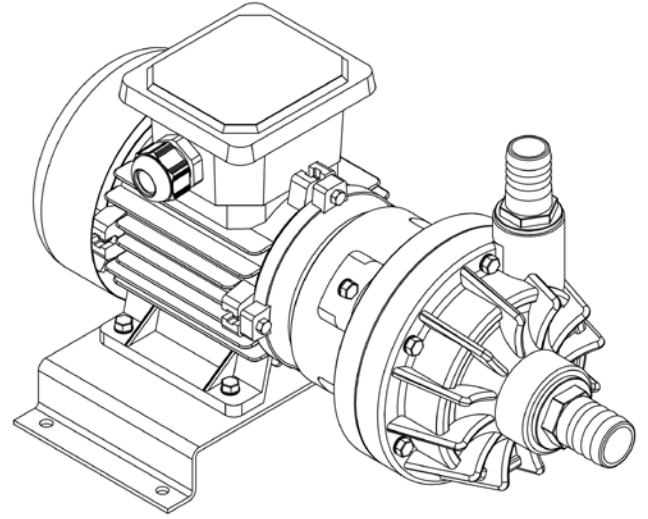
- PP
- PVC
- PVDF

Mechanical Seal Materyals

- Ceramic
- Silisium
- Carbon

Motor

- Insulation Class : F
- Protecting Class : IP 55 and IP 54
- Single-phase version : 220V, 50 Hz
- Three phase version :380V, 50Hz



Address:

Maltepe Mah.Çifttehavuzlar Cad.Ayvalıdere Sokak No:6 Zeytinburnu / İstanbul / TURKEY
Tel: +90 (212) 613 41 42 - 47 - 48 - 50
E-mail: satis@gunalsanpompa.com

Fax: +90 (212) 613 41 49
www.gunalsanpompa.com